

Orimee®

Designers and Manufacturers of Equestrian Equipment



THE UK'S NO.1 SELLING
HORSE SOLARIUM

Product Range



Why Drimee?



5 Star Build Quality

Construction

- Super-light construction makes it easy to lift into place or relocate.
- Corrosion resistant construction means the solariums are ideal for use in wash-boxes.
- Solariums are inset with low pressure, low energy and low cost infrared bulbs.
- Cables are fed through the stainless steel frame for safety.
- Hanging kits supplied with 10m of chain, snap clips and eyelets.

Product Features

- User adjustable power settings via the dimmer unit which is included on all models as standard.
- Variable infra-red output, removing the need to raise or lower the solarium.
- The control unit allows users to set the timer up to 60 minutes.
- Premium ventilated panels allow for quicker unit cool down times.



Drimee
Equestrian Solariums



Supplied to
Her Majesty The Queen



Drimee

The Benefits



Improves Blood Circulation

Improves blood circulation, cellular metabolism and general health and wellbeing.



Accelerates Natural Moulting Process

Accelerates the natural moulting process; therefore producing a smoother, glossier coat.



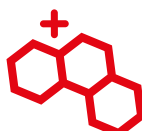
Promotes Injury and Wound Healing

Promotes the natural healing process and helps to reduce the risk of further injury.



Reduces Joint and Muscle Stiffness

Helps break down the build up of lactic acid after exercise and reduces overall muscle stiffness.



Promotes Healthier Skin

Over time, the solarium will help maintain the natural oils found in your horses skin.



Reduces Exercise Warm-Up Times

Reduces the overall warm-up time for scheduled exercising periods.

The manufacturer reserves the right to change any specification without prior notice.

The Choice of Champions



Nick Skelton



Robert Smith



Michael Whitaker



Ben Maher

Award Winning Ultra-Pro Solarium



Our **award winning** number one selling horse solarium is fitted with 12 **low wattage, low pressure and low cost** infra-red bulbs, cooling fans and dimmers. The ultra-pro is designed to **speed up the drying time** of your horse and submerge the animal in **therapeutic infra-red light**, thus helping to increase the levels of Vitamin D whilst also warming and softening your horses muscles. A ten to fifteen minute session both before and after exercise can help to **cut down on muscle strain** and also **reduce the build up of lactic acid** after exercise.

Dual Action Fans - Drying or Cooling

The two **high speed** fans fitted to the centre bank of the unit help assist with **drying** and also helps to circulate the surrounding air. The fans can also be used independently when the lamps are turned off, turning the ultra-pro into a **cooling system** for you and your horse.

Full Control

The ultra-pro is fitted with two adjustable dimmers; allowing full control of the 12 infra-red bulbs. The first dimmer is fitted to the centre bank of 4 bulbs and the second is fitted to the outer bank of 8. This means you can establish a perfect light and temperature setting for any activity - such as **clipping, plaiting, cleaning, medical and farrier work**.

Adjustable Timer

A precision timer is included with the ultra-pro solarium, allowing you to manage your solarium useage from 1-55 minutes.

Low Cost, Long Lasting Bulbs

5000 hours 200W, eco-friendly infra-red bulbs at just **\$12.50 (+Sales Tax) per bulb** or a **pack of 4 at \$45.00 (+Sales Tax)**.

Ultra-Pro Specification

Wattage: 2450W (or 3KV Generator)

Weight: 61 lb

Bulb Configuration: 12 Infrared Bulbs

Infrared Intensity: 100%

Dimensions: 51 inch x 61 inch

Running Cost: 50 cents/hour

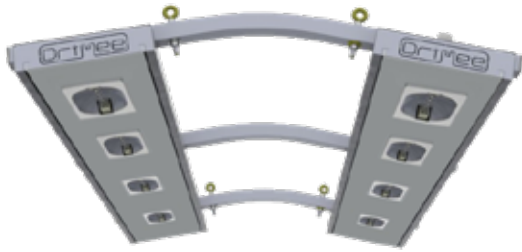
Dual Action Fans - Drying or Cooling

2 x Dimmer and Timer



SB2 XL Solarium

Fixed or Portable



Wattage: 1720W (or 2KV Generator)
Weight: 40 lb
Bulb Configuration: 8 Infrared Bulbs
Infrared Intensity: 100%
Dimensions: 33.5inch x 61inch
Dimmer and Timer

SBI Solarium

Fixed or Portable



Wattage: 860W (or 1KV Generator)
Weight: 20 lb
Bulb Configuration: 4 Infrared Bulbs
Infrared Intensity: 100%
Dimensions: 15.7inch x 61inch

Multi-Stall Package with Token Operator

Our multi-stall package is designed for **yard owners to make profit and recover the cost of the initial purchase**, allowing their customers to make easy use of the solarium and its benefits. The package is supplied with a **digital, programmable token operator** for use with \$2 tokens, the token operator also comes with a key which enables a free-to-use option. This provides **full flexibility on charging rates**.

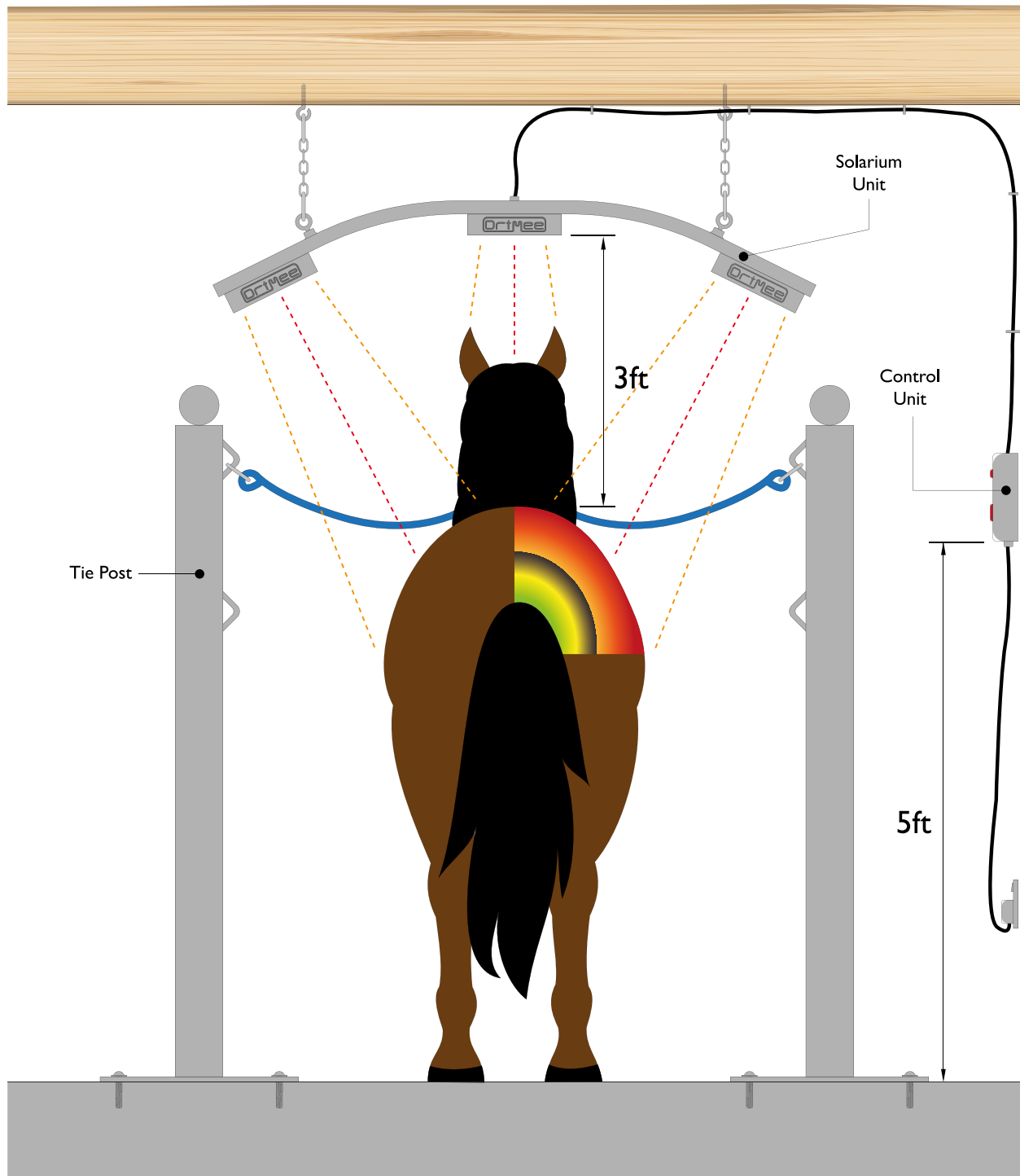


Ultra-Pro Livery Package

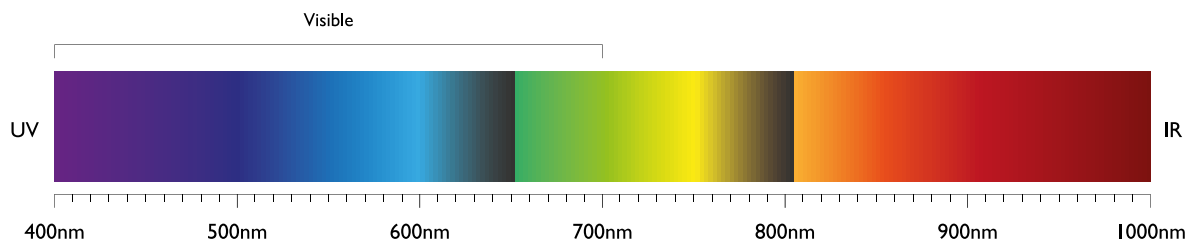
- 1 x \$2 Token = 15 Minutes Use
- \$1.90 profit for every \$2 token used
- Free to use key available
- Easy to install
- 220V Power
- Fully programmable
- Digital display
- Payback for the solarium unit: 290 hours
- Length of time per \$1000 profit: 131 hours

The manufacturer reserves the right to change any specification without prior notice.

How It Works



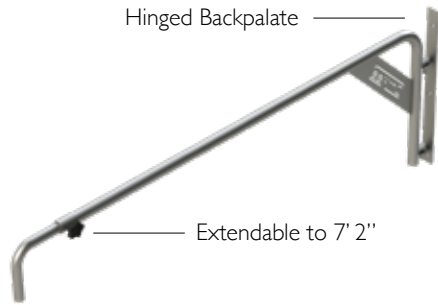
Wavelegth (nm)



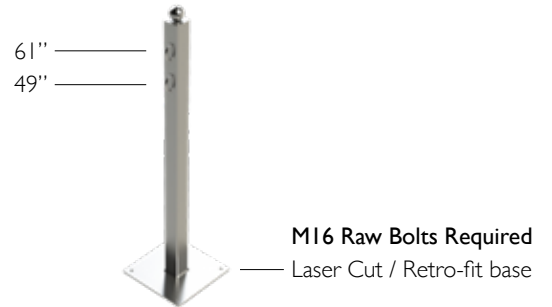
Orimee

Accessories and Spares

Extendable Wash Boom



Heavy Duty Tie Post



Digital Token Operator



4 Pack Infra-Red Bulbs (200W)



The manufacturer reserves the right to change any specification without prior notice.

To purchase any of our products, please visit:

www.drimee.com



You can also find us on Facebook and Instagram!



@drimeeusa



@drimee_usa



THE UK'S NO.1 SELLING HORSE SOLARIUM

"At Drimee, we love horses like you do. Based on university studies, we believe that most horses benefit from sessions of 15-20 minutes each. However, we know that horses, like people, are all different. We encourage our customers to ask their vets how best to use the Drimee Solariums to provide the maximum benefit to your horse."

System Equine

14321 Fifth Line Nassagaweya
Rockwood, ON • N0B 2K0

Sales@SystemEquine.com • 1 (800) 461-3362

SystemEquine.com